



Directional Sector Antenna



- Model: FTD-1727SH14DP30A
- Name: Directional Sector Antenna
- Freq.Range: 1710 to 2200 / 2200 to 2690 MHz
- Communications system: WIFI/WLAN/ISM, TD-SCDMA/WCDMA/TDD&FDD-LTE, Wireless cellular Communication System, Broadband digital trunking private network
- Application scenario: Point to multipoint, Repeater antenna, Base station antenna, Outdoor signal directional coverage

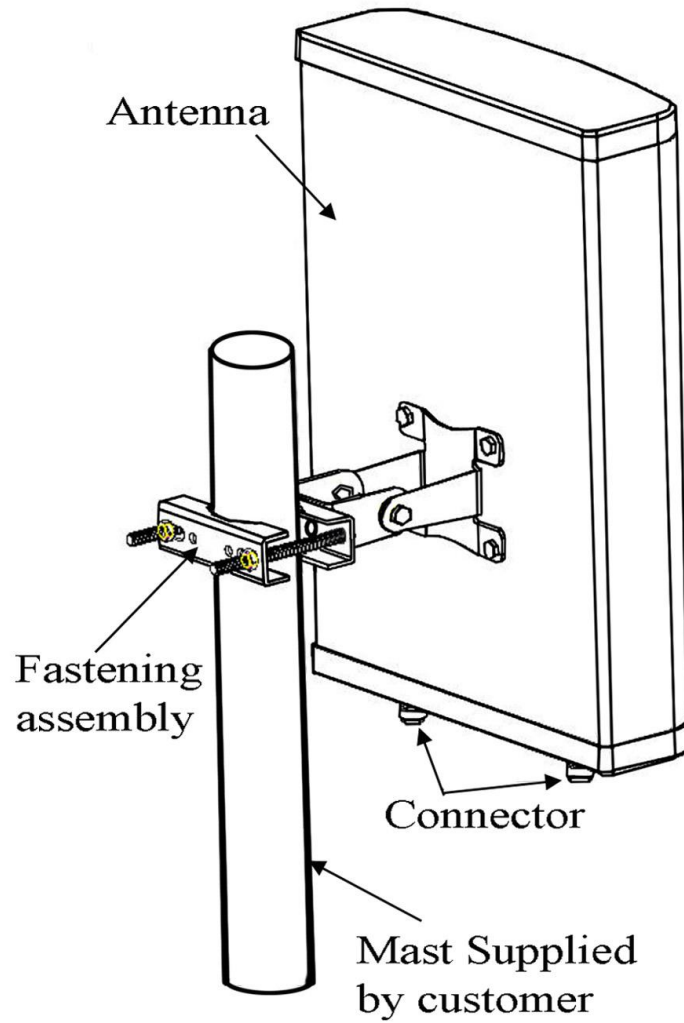
Tip: Pictures are for reference only.
Please refer to physical objects.

Electrical Specifications		
Freq.Range-MHz	1710 to 2200	2200 to 2690
Polarization	±45°	
Gain-dBi	2×13.5	2×14
Beam Electrical Downtilt-°	0	
Half-power beam width-°	H:35 E:30	H:30 E:28
First upper sidelobe suppression	N/A	
Cross-pol-isolation-°	≥ 25	
F/B-dB	≥ 25	
Impedance-Ω	50	
VSWR	≤ 1.5	
Cross-pol. Discrimination_XPD-dB	≥15 (±30°≥10)	
Third-order passive intermodulation-dBc	≤-150dBc (2×43dBm)	
Max.Power-W	300	
Lightning Protection	DC Grounded	

Mechanical Specifications	
Connector	2×N female
Connector Position	Bottom
Dimension-MM	About 300×280×85
Weight-KG	About 3
Radome material	UPVC
Radome color	Gray
Mechanical tilt-°	0 to 14
Operational Temperature-°C	-40 to 60
Storage Temperature-°C	-55 to 85
Relative Humidity-%	5 to 95
Rated Wind Velocity-M/S	60
Mounting way	Mast 【Φ50 to 75】



Installation Demonstrations



Typical pattern

1710 to 2200MHz



2200 to 2690MHz

