



## Directional Sector Antenna



- Model: FTD-2458SH1414V60C
- Name: Directional Sector Antenna
- Freq.Range: 2400 to 2500 / 5150 to 5850 MHz
- Communications system:  
2.4/5.8GHz WALN/WIFI/ISM/UNII,  
Spread Spectrum Communication
- Application scenario:  
Point to multipoint, Base station antenna,  
Outdoor signal directional coverage,  
Wireless data and image transmission,  
Public wireless hotspot coverage,  
IEEE802.11a/b/g/n

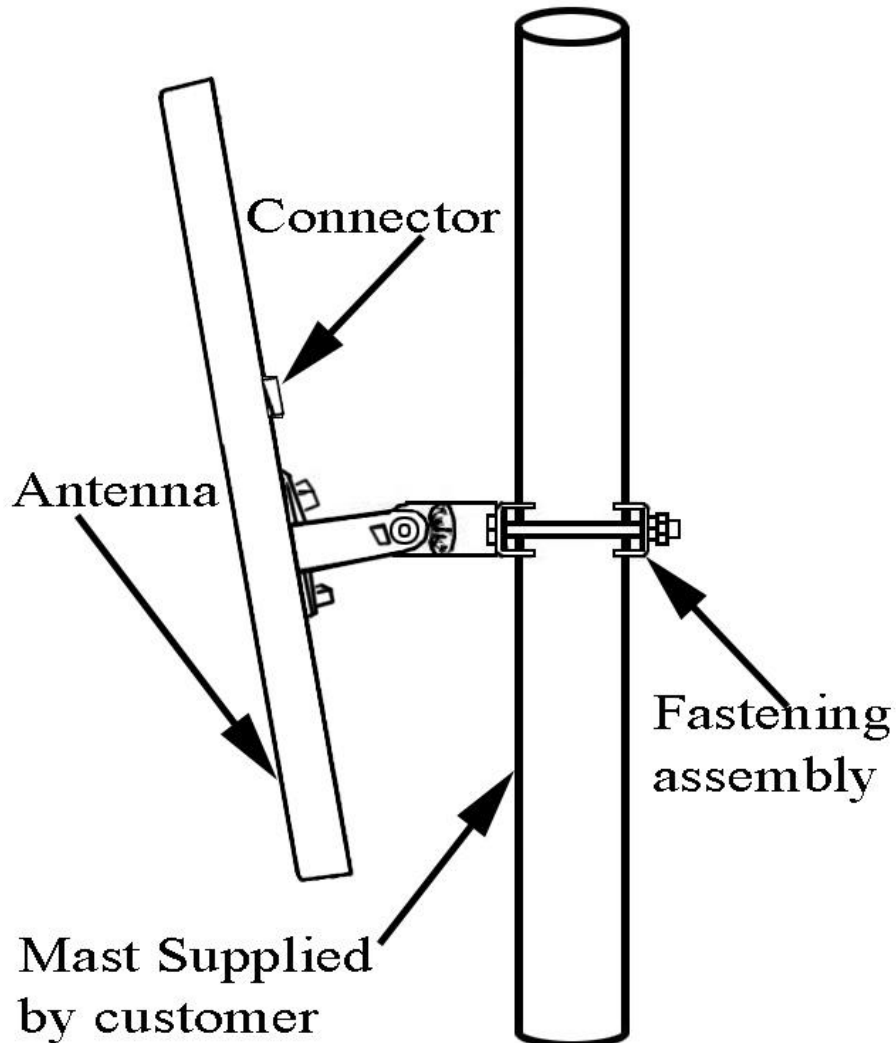
Tip: Pictures are for reference only.  
Please refer to physical objects.

Electrical Specifications		
Freq.Range-MHz	2400 to 2500	5150 to 5850
Bandwidth-MHz	100	700
Polarization	Vertical	
Gain-dBi	14	14
Beam Electrical Downtilt-°	0	
Half-power beam width-°	H:60 E:15	H:60 E:15
F/B-dB	≥ 20	
Impedance-Ω	50	
VSWR	≤ 1.5	≤ 2.0
Max.Power-W	50	
Lightning Protection	DC Grounded	

Mechanical Specifications	
Connector	2×N female
Connector Position	Back
Dimension-MM	About 454×137×30
Weight-KG	About 0.6
Radome material	ABS
Radome color	White
Mechanical tilt-°	0 to 30
Operational Temperature-°C	-40 to 60
Storage Temperature-°C	-55 to 85
Relative Humidity-%	5 to 95
Rated Wind Velocity-M/S	60
Mounting way	Mast
Mast Diameter-MM	Φ35 to 50



## Installation Demonstrations



## Communication channel

