



Directional Sector Antenna



- Model: FTD-24SH14V90B
- Name: Directional Sector Antenna
- Freq.Range: 2400 to 2500 MHz
- Communications system:
 - 2.4GHz WALN/WIFI/ISM/UNII,
 - 2.4G Spread Spectrum Communication
- Application scenario:
 - Point to multipoint, Base station antenna,
 - Outdoor signal directional coverage,
 - Wireless data and image transmission,
 - Public wireless hotspot coverage,
 - IEEE802.11b/g

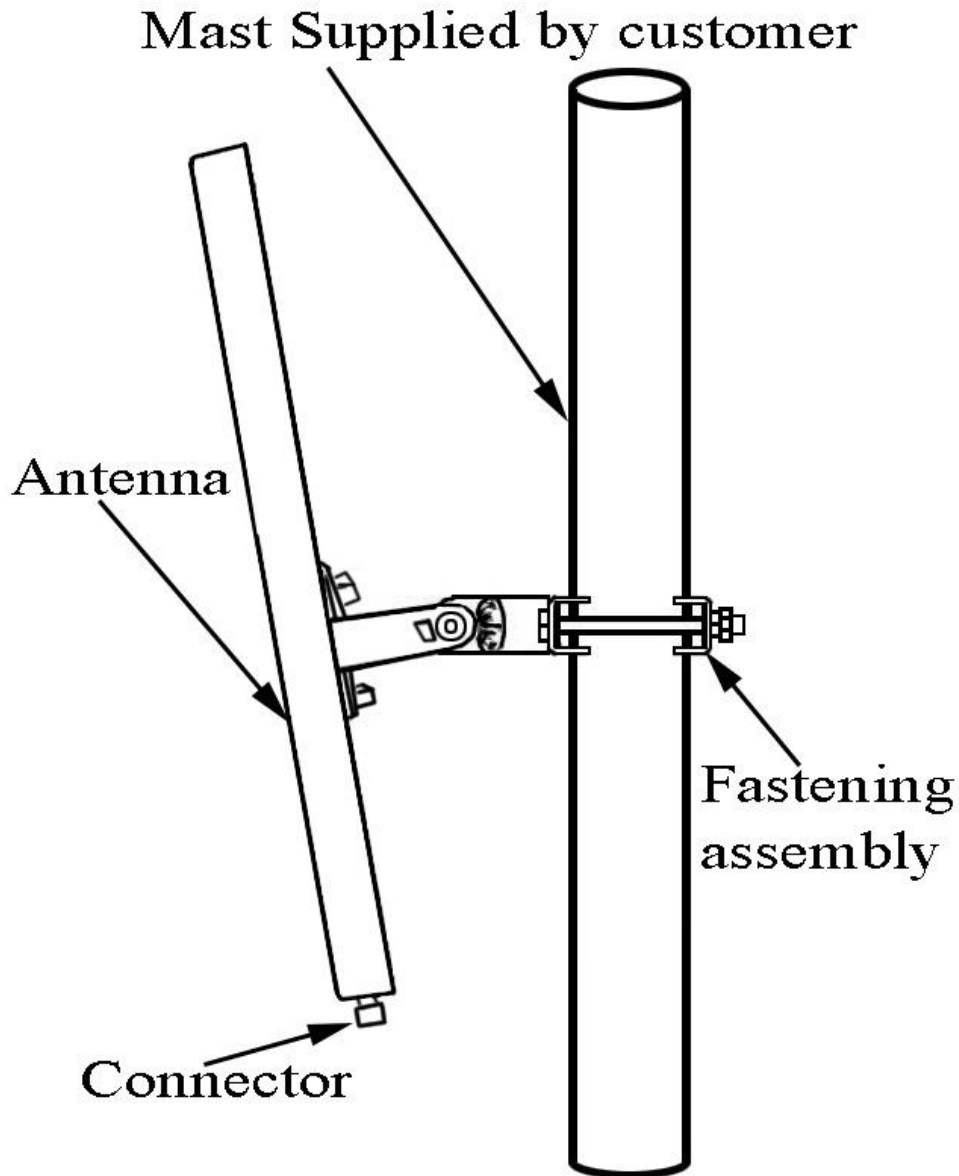
Tip: Pictures are for reference only.
Please refer to physical objects.

Electrical Specifications	
Freq.Range-MHz	2400 to 2500
Bandwidth-MHz	100
Polarization	Vertical
Gain-dBi	14.5
Beam Electrical Downtilt-°	0
Half-power beam width-°	H:90 E:15
F/B-dB	≥ 23
Impedance-Ω	50
VSWR	≤ 1.5
Max.Power-W	100
Lightning Protection	DC Grounded

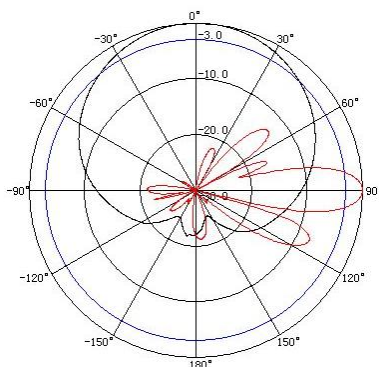
Mechanical Specifications	
Connector	N female
Connector Position	Bottom
Dimension-MM	About 454×137×30
Weight-KG	About 0.8
Radome material	ABS
Radome color	White
Mechanical tilt-°	0 to 15
Operational Temperature-°C	-40 to 60
Storage Temperature-°C	-55 to 85
Relative Humidity-%	5 to 95
Rated Wind Velocity-M/S	60
Mounting way	Mast
Mast Diameter-MM	Φ40 to 60



Installation Demonstrations



Typical pattern & Communication channel



2400~2500

V



N