



## Directional Sector Antenna



Tip: Pictures are for reference only.  
Please refer to physical objects.

- Model: FTD-24SH13V120B
- Name: Directional Sector Antenna
- Freq.Range: 2400 to 2500 MHz
- Communications system:
  - 2.4GHz WALN/WIFI/ISM/UNII,
  - 2.4G Spread Spectrum Communication
- Application scenario:
  - Point to multipoint, Base station antenna,
  - Outdoor signal directional coverage,
  - Wireless data and image transmission,
  - Public wireless hotspot coverage,
  - IEEE802.11b/g

### Electrical Specifications

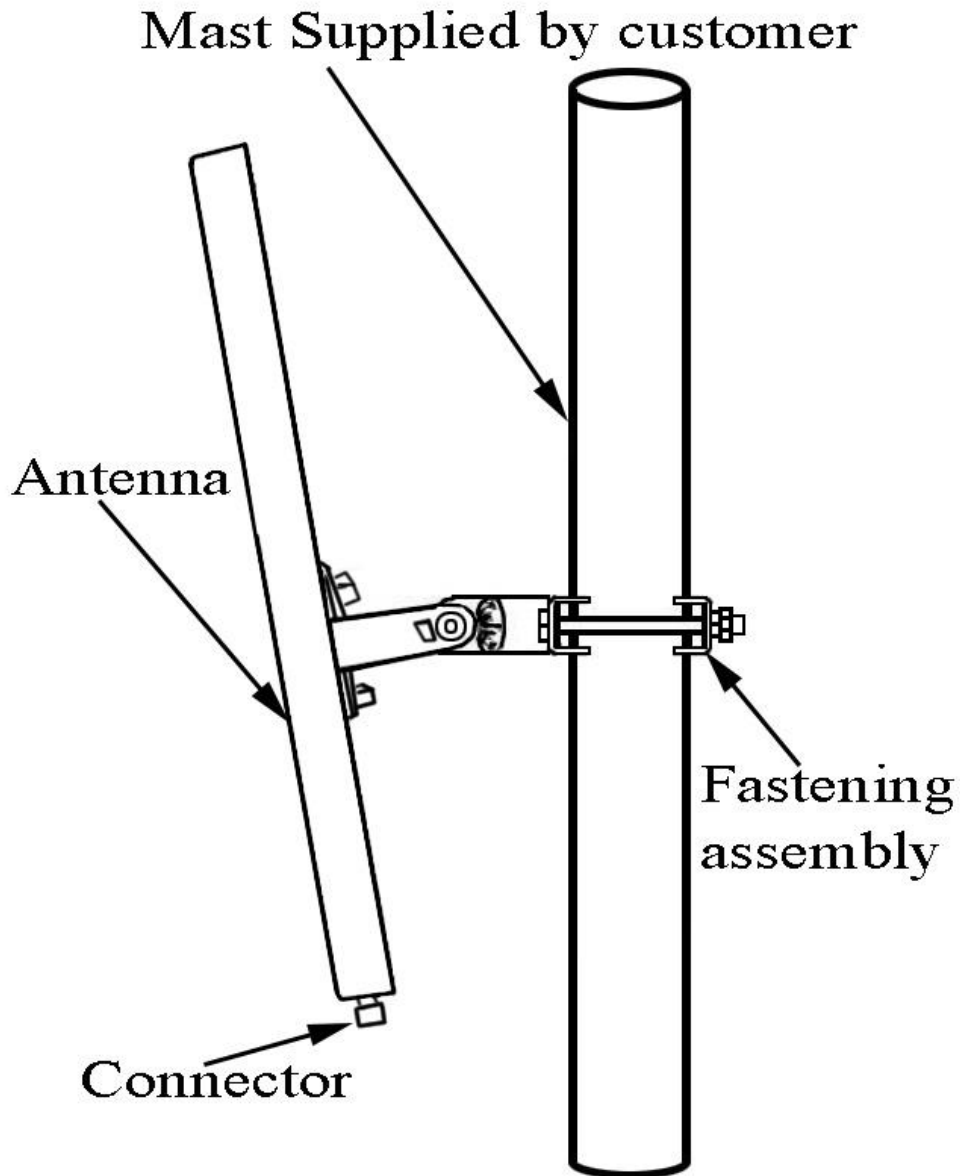
Freq.Range-MHz	2400 to 2500
Bandwidth-MHz	100
Polarization	Vertical
Gain-dBi	13.5
Beam Electrical Downtilt-°	0
Half-power beam width-°	H:120 E:15
F/B-dB	≥ 23
Impedance-Ω	50
VSWR	≤ 1.5
Max.Power-W	100
Lightning Protection	DC Grounded

### Mechanical Specifications

Connector	N female
Connector Position	Bottom
Dimension-MM	About 454×137×30
Weight-KG	About 0.8
Radome material	ABS
Radome color	White
Mechanical tilt-°	0 to 15
Operational Temperature-°C	-40 to 60
Storage Temperature-°C	-55 to 85
Relative Humidity-%	5 to 95
Rated Wind Velocity-M/S	60
Mounting way	Mast
Mast Diameter-MM	Φ40 to 60



## Installation Demonstrations



## Typical pattern & Communication channel

