



## Directional Wall Mounted Antenna



- Model: FTD-24BG08V80B
- Name: Directional Wall Mounted Antenna
- Freq.Range: 2400 to 2483 MHz
- Communications system:  
2.4GHz WLAN/WIFI/ISM/WIMAX,  
Indoor distributed communication system,  
Spread Spectrum Communication
- Application scenario:  
Indoor signal directional coverage,  
Wireless data and image transmission,  
Public wireless hotspot coverage,  
IEEE802.11b/g

Tip: Pictures are for reference only.  
Please refer to physical objects.

### Electrical Specifications

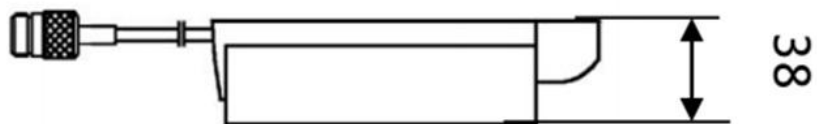
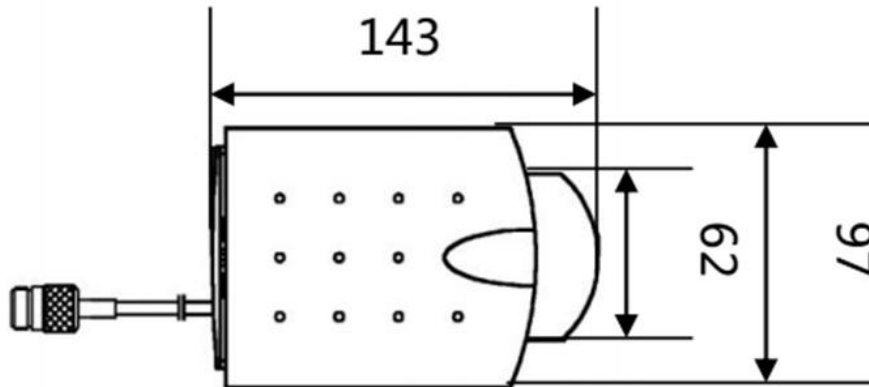
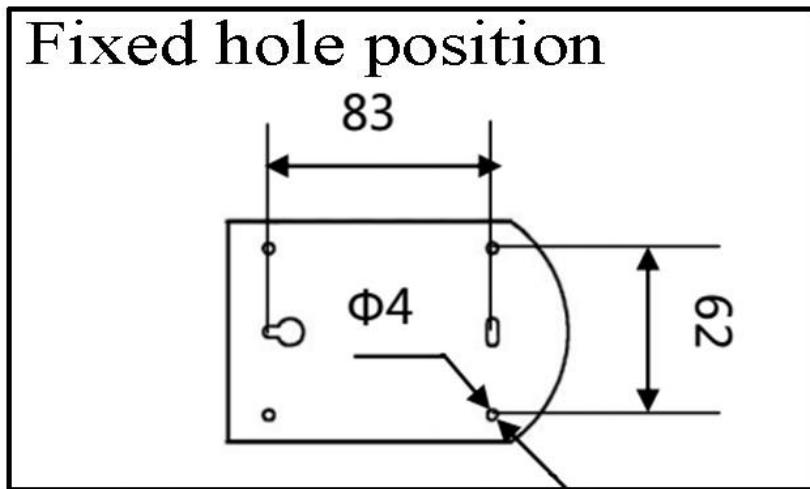
Freq.Range-MHz	2400 to 2483
Bandwidth-MHz	83
Polarization	Vertical
Gain-dBi	8
Half-power beam width-°	H:80 E:60
F/B-dB	≥ 15
Impedance-Ω	50
VSWR	≤ 1.5
Max.Power-W	50
Lightning Protection	DC Grounded

### Mechanical Specifications

Connector	N Female or Customized
Connector Position	Cable outgoing
Cable Length-CM	15CM or Customized
Dimension-MM	About 145×97×38
Weight-KG	About 0.21
Radome material	ABS
Radome color	Gray
Operational Temperature-°C	-40 to 60
Storage Temperature-°C	-55 to 85
Relative Humidity-%	5 to 95
Mounting way	Wall mounting



## Installation Demonstrations



## Typical pattern

