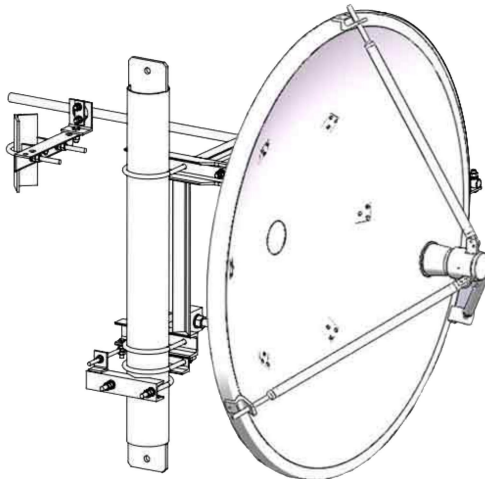




Directional Parabolic Antenna



- Model: FTD-3436PW30VH12A
- Name: Directional Parabolic Antenna
- Freq.Range: 3400 to 3600MHz
- Communications system: WIMAX, Microwave communication system, 3.5GHz Wireless access communication system
- Application scenario:
 - Point to point, Point to multipoint,
 - Long-distance communication,
 - Wireless data and image transmission,
 - Wireless bridging

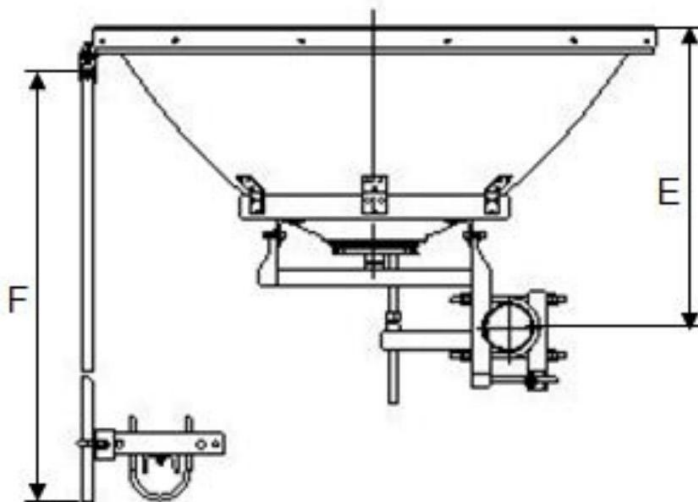
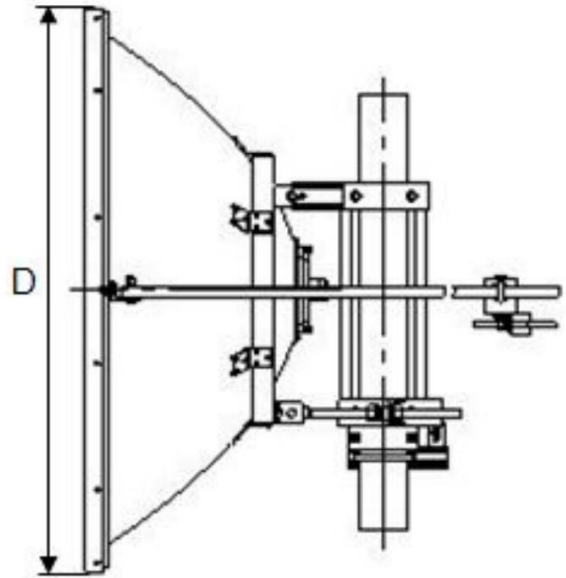
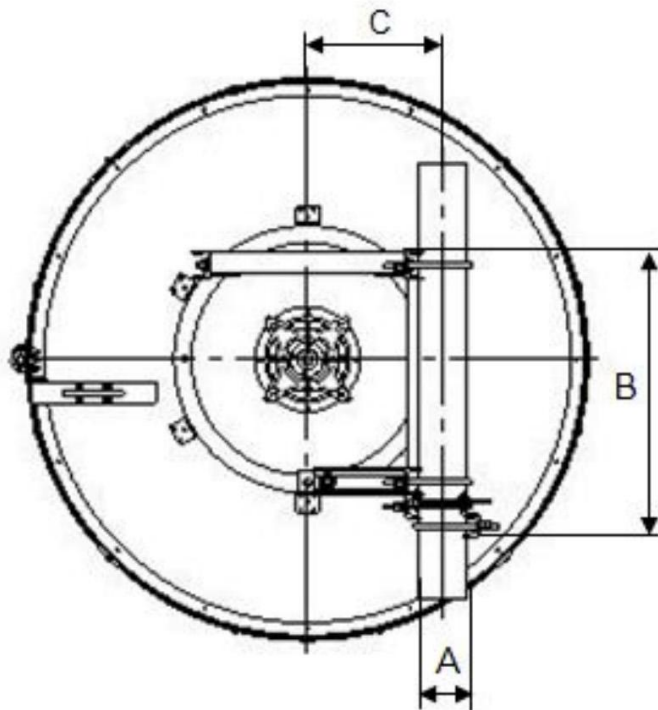
Tip: Pictures are for reference only.
Please refer to physical objects.

Electrical Specifications	
Freq.Range-MHz	3400 to 3600
Bandwidth-MHz	200
Polarization	Vertical and Horizontal
Low.Gain-dBi	30
Top.Gain-dBi	30.5
Half-power beam width-°	H:5 E:5
F/B-dB	≥ 36
Cross-pol. Discrimination(XPD)-dB	≥ 27
Impedance-Ω	50
VSWR	≤ 1.5
Max.Power-W	100
Lightning Protection	DC Grounded

Mechanical Specifications	
Connector	2×N female
Diameter-M	About Φ1.2
Weight-KG	About 26
Radome material	Aluminium alloy
Radome color	Gray
Mechanical tilt-°	-15 to 15
Operational Temperature-°C	-45 to 65
Storage Temperature-°C	-55 to 85
Relative Humidity-%	5 to 95
Rated Wind Velocity-M/S	60
Mounting way	Mast
Mast Diameter-MM	Φ114



Installation Demonstrations



Unit: mm

A	$\Phi 114$
B	650
C	310
D	$\Phi 1290$
E	685
F	1500