



Antenna with mounting cavity



- Model: FTD-5158CPB18VH20A
- Name: Antenna with mounting cavity
- Freq.Range: 5150 to 5850 MHz
- Communications system:
5.1 to 5.8GHz WLAN/WIFI/ISM/UNII,
5.1 to 5.8GHz Spread Spectrum Communication
- Application scenario: Bridge antenna,
Point to point, Point to multipoint,
Outdoor signal directional coverage,
Wireless data and image transmission,
Wireless bridging, IEEE802.11a/n

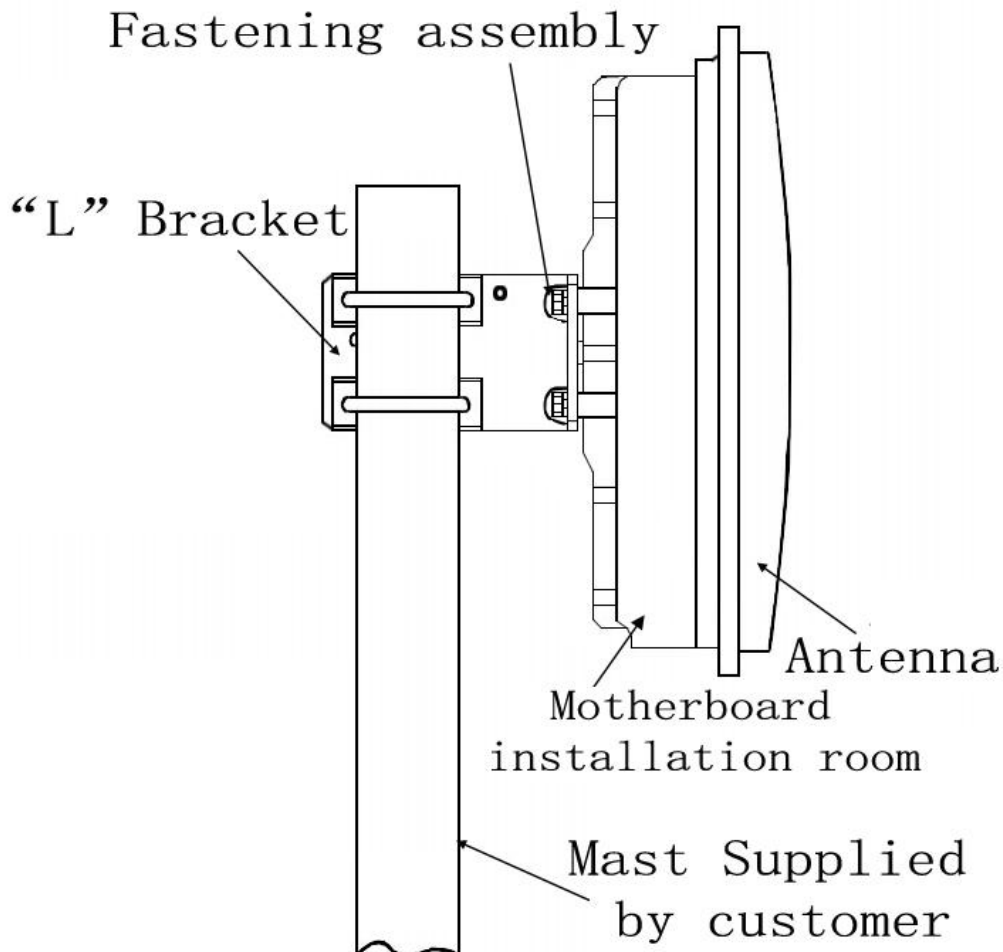
Tip: Pictures are for reference only.
Please refer to physical objects.

Electrical Specifications	
Freq.Range-MHz	5150 to 5850
Bandwidth-MHz	700
Polarization	Vertical and Horizontal
Gain-dBi	18
Beam Electrical Uptilt-°	0
Half-power beam width-°	H:20 E:20
Cross-pol-isolation-dB	≥ 25
F/B-dB	≥ 28
Impedance-Ω	50
VSWR	≤ 2.0
Max.Power-W	20
Lightning Protection	DC Grounded

Mechanical Specifications	
Connector	2×MMCX Bend male or Customized
Cable Length-CM	20CM or Customized
Antenna Dimension-MM	About 320×200×100
Mounting Cavity Dimension-MM	About 265×145×38 (IN)
Mounting Cavity Connector	1×N female+1×PG16
Weight-KG	About 2
Radome material and color	ABS (Gray)
Mounting Cavity color	Gray
Mechanical tilt-°	0 to 60
Operational Temperature-°C	-40 to 60
Storage Temperature-°C	-55 to 85
Relative Humidity-%	5 to 95
Rated Wind Velocity-M/S	60
Mounting way	Mast 【Φ35 to 50】



Installation Demonstrations



Typical pattern

