



Antenna with mounting cavity



- Model: FTD-5158CPW23VH04B
- Name: Antenna with mounting cavity
- Freq.Range: 5150 to 5850 MHz
- Communications system:
 - 5.1 to 5.8GHz WLAN/WIFI/ISM/UNII,
 - 5.1 to 5.8GHz Spread Spectrum Communication
- Application scenario: Bridge antenna, Point to point, Point to multipoint, Wireless data and image transmission, Remote communication, Wireless bridging, Client antenna, IEEE802.11a/n

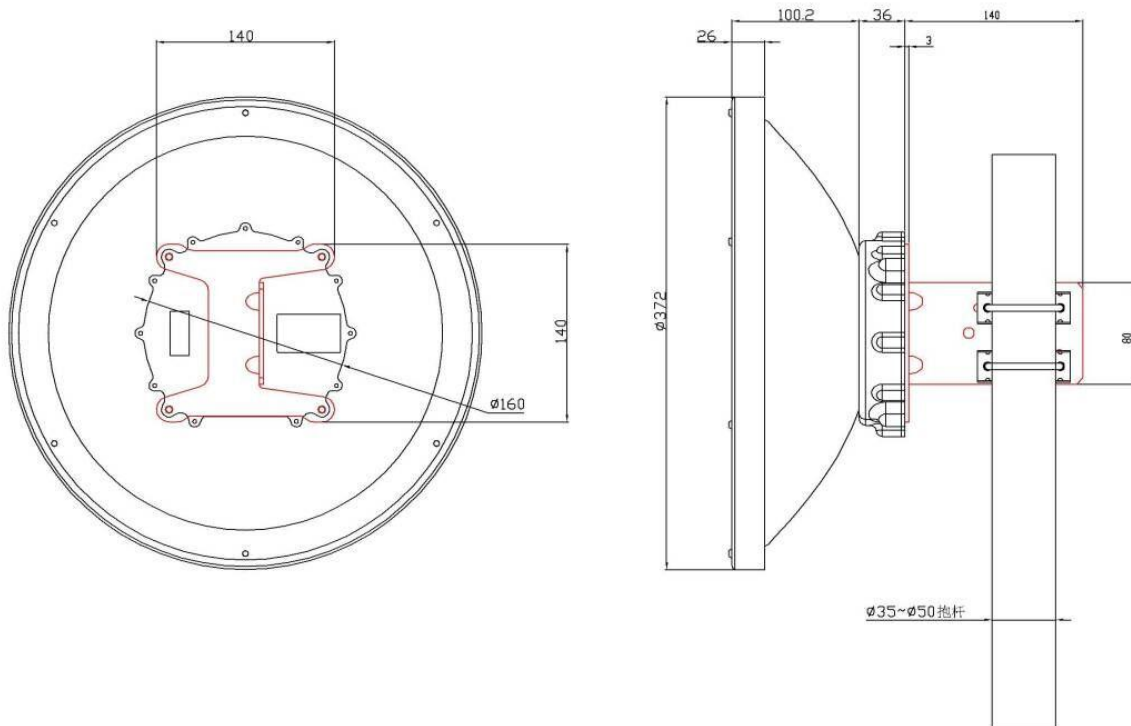
Tip: Pictures are for reference only.
Please refer to physical objects.

Electrical Specifications	
Freq.Range-MHz	5150 to 5850
Bandwidth-MHz	700
Polarization	Vertical and Horizontal
Gain-dBi	23
Beam Electrical Uptilt-°	0
Half-power beam width-°	H:9 E:9
Cross-pol-isolation-dB	≥ 30
F/B-dB	≥ 35
Impedance-Ω	50
VSWR	≤ 2.0
Max.Power-W	20
Lightning Protection	DC Grounded

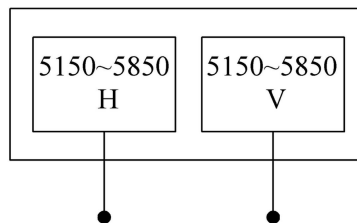
Mechanical Specifications	
Connector	2×MMCX Bend male or Customized
Cable Length-CM	15CM or Customized
Antenna Dimension-M	About Φ0.37
Mounting Cavity Connector	PG16
Weight-KG	About 3
Radome material	Aluminium alloy
Mounting Cavity color	Gray
Mechanical tilt-°	0 to 20
Operational Temperature-°C	-40 to 70
Storage Temperature-°C	-55 to 85
Relative Humidity-%	5 to 95
Rated Wind Velocity-M/S	60
Mounting way	Mast
Mast Diameter-MM	Φ35 to 50



Installation Demonstrations



Communication channel



Typical pattern

