



# Directional Parabolic Antenna



- Model: FTD-5158PW23VH04AU
- Name: Directional Parabolic Antenna
- Freq.Range: 5150 to 5850 MHz
- Communications system:
  - Remote communication,
  - 5.1 to 5.8GHz WLAN/WIFI/ISM/UNII,
  - 5.1 to 5.8GHz Spread Spectrum Communication
- Application scenario: Client antenna,
  - Point to point, Point to multipoint,
  - Long-distance communication,
  - Wireless data and image transmission,
  - Wireless bridging, IEEE802.11a/n

Tip: Pictures are for reference only.  
Please refer to physical objects.

## Electrical Specifications

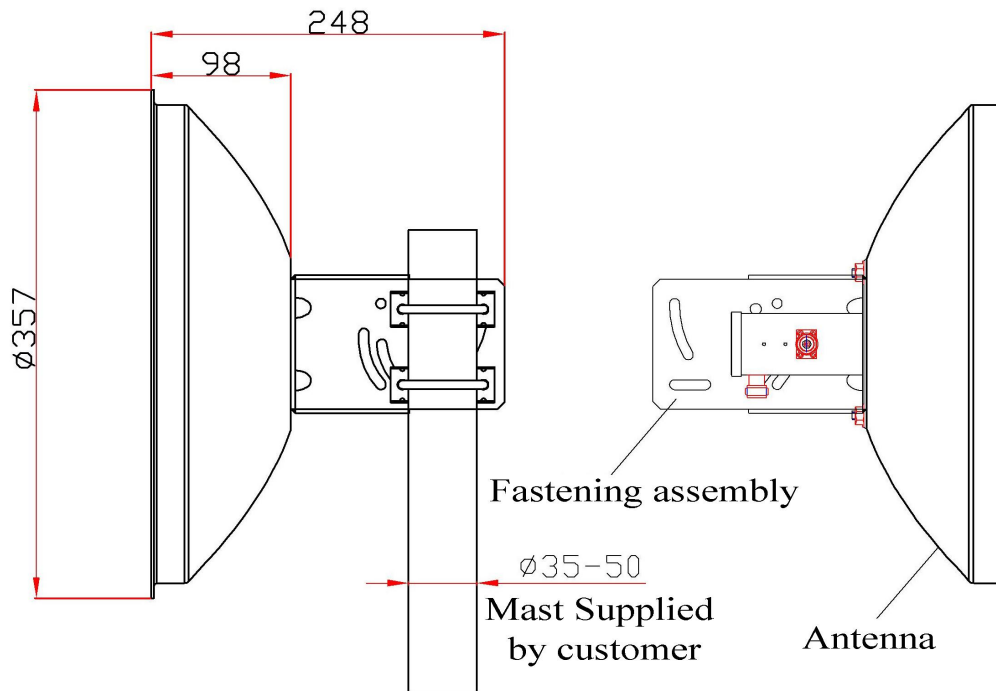
Freq.Range-MHz	5150 to 5850
Bandwidth-MHz	700
Polarization	Vertical and Horizontal
Gain-dBi	23
Half-power beam width-°	H: 9 E: 9
Sidelobe suppression	ETSI EN 302.326-3 DN1-DN5
F/B-dB	≥ 35
Cross-pol-isolation-dB	≥ 30
Impedance-Ω	50
VSWR	≤ 1.5
Max.Power-W	100
Lightning Protection	DC Grounded

## Mechanical Specifications

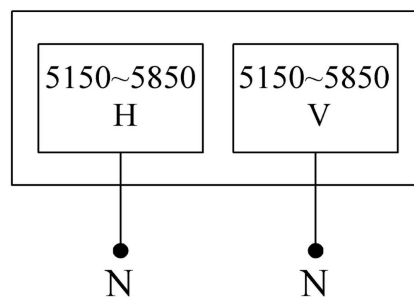
Connector	2×N female
Connector Position	Back
Diameter-M	About Φ0.37
Weight-KG	About 3.3
Radome material	Aluminium alloy
Radome color	Gray
Mechanical tilt-°	-15 to 15
Operational Temperature-°C	-40 to 70
Storage Temperature-°C	-55 to 85
Relative Humidity-%	5 to 95
Rated Wind Velocity-M/S	60
Mounting way	Mast
Mast Diameter-MM	Φ35 to 50
Remark	UBNT equipment mounting base is standard



## Installation Demonstrations



## Communication channel



## Typical pattern

