



Directional Parabolic Antenna



Tip: Pictures are for reference only.
Please refer to physical objects.

- Model: FTD-5158PW29VH06A
- Name: Directional Parabolic Antenna
- Freq.Range: 5150 to 5850 MHz
- Communications system:
Remote communication,
5.1 to 5.8GHz WLAN/WIFI/ISM/UNII,
5.1 to 5.8GHz Spread Spectrum Communication
- Application scenario: Client antenna,
Point to point, Point to multipoint,
Long-distance communication,
Wireless data and image transmission,
Wireless bridging, IEEE802.11a/n

Electrical Specifications

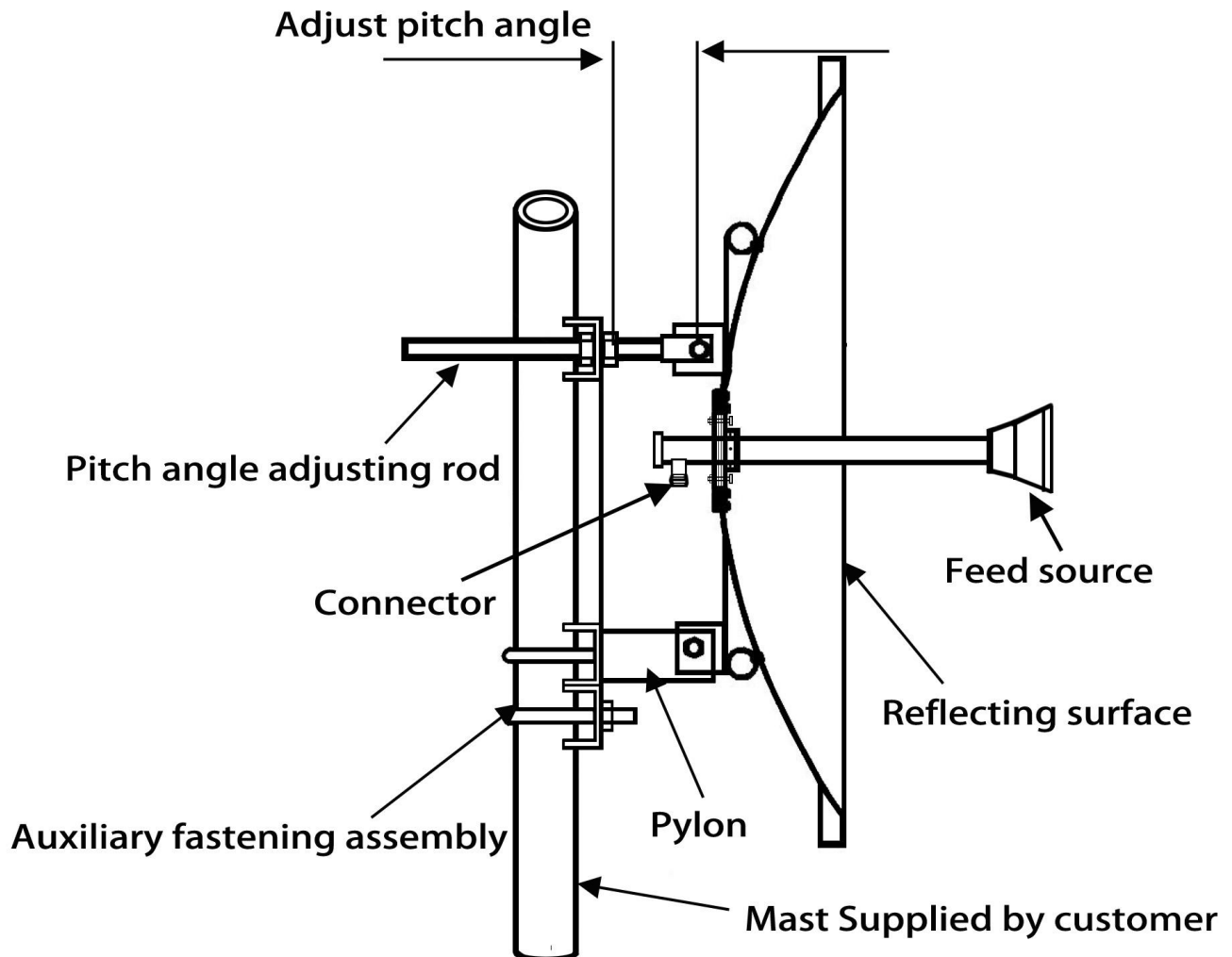
Freq.Range-MHz	5150 to 5850
Bandwidth-MHz	700
Polarization	Vertical and Horizontal
Gain-dBi	28.5
Half-power beam width-°	H: 5 E: 5
F/B-dB	≥ 35
Cross-pol-isolation-dB	≥ 28
Impedance-Ω	50
VSWR	≤ 1.5
Max.Power-W	100
Lightning Protection	DC Grounded

Mechanical Specifications

Connector	2×N female
Connector Position	Back
Diameter-M	About Φ0.6
Weight-KG	About 5.5
Radome material	Aluminium alloy
Radome color	Gray
Mechanical tilt-°	0 to 20
Operational Temperature-°C	-40 to 70
Storage Temperature-°C	-55 to 85
Relative Humidity-%	5 to 95
Rated Wind Velocity-M/S	60
Mounting way	Mast
Mast Diameter-MM	Φ50 to 70



Installation Demonstrations





Directional Parabolic Antenna

