



Directional Parabolic Antenna



Tip: Pictures are for reference only.
Please refer to physical objects.

- Model: FTD-5158PW32VH09A
- Name: Directional Parabolic Antenna
- Freq.Range: 5150 to 5850 MHz
- Communications system:
Remote communication,
5.1 to 5.8GHz WLAN/WIFI/ISM/UNII,
5.1 to 5.8GHz Spread Spectrum Communication
- Application scenario: Client antenna,
Point to point, Point to multipoint,
Long-distance communication,
Wireless data and image transmission,
Wireless bridging, IEEE802.11a/n

Electrical Specifications

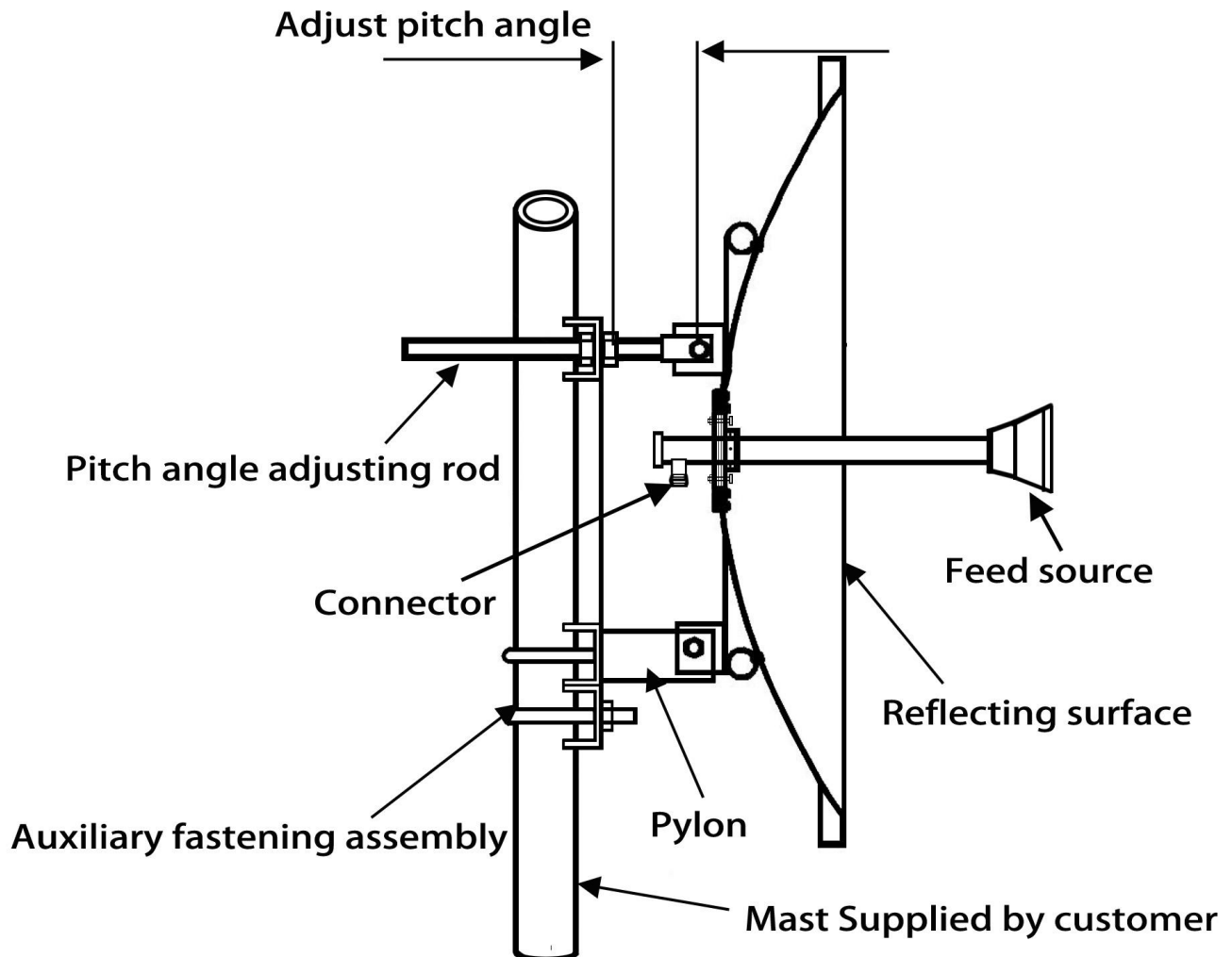
| | |
|-------------------------|-------------------------|
| Freq.Range-MHz | 5150 to 5850 |
| Bandwidth-MHz | 700 |
| Polarization | Vertical and Horizontal |
| Gain-dBi | 32 |
| Half-power beam width-° | H: 3.5 E: 3.5 |
| F/B-dB | ≥ 40 |
| Cross-pol-isolation-dB | ≥ 28 |
| Impedance-Ω | 50 |
| VSWR | ≤ 1.5 |
| Max.Power-W | 100 |
| Lightning Protection | DC Grounded |

Mechanical Specifications

| | |
|----------------------------|-----------------|
| Connector | 2×N female |
| Connector Position | Back |
| Diameter-M | About Φ0.9 |
| Weight-KG | About 10.5 |
| Radome material | Aluminium alloy |
| Radome color | Gray |
| Mechanical tilt-° | 0 to 20 |
| Operational Temperature-°C | -40 to 70 |
| Storage Temperature-°C | -55 to 85 |
| Relative Humidity-% | 5 to 95 |
| Rated Wind Velocity-M/S | 60 |
| Mounting way | Mast |
| Mast Diameter-MM | Φ50 to 70 |



Installation Demonstrations





Directional Parabolic Antenna

