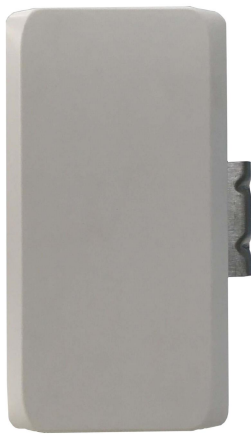




Directional Flat Panel Antenna



- Model: FTD-5158PB13VH38A-1
- Name: Directional Flat Panel Antenna
- Freq.Range: 5150 to 5850 MHz
- Communications system:
 - 5.1 to 5.8GHz WLAN/WIFI/ISM/UNII,
 - 5.1 to 5.8GHz Spread Spectrum Communication
- Application scenario: Bridging antenna, Point to point, Point to multipoint, Wireless data and image transmission, Outdoor signal directional coverage, Public wireless hotspot coverage, Wireless bridging, IEEE802.11a/n

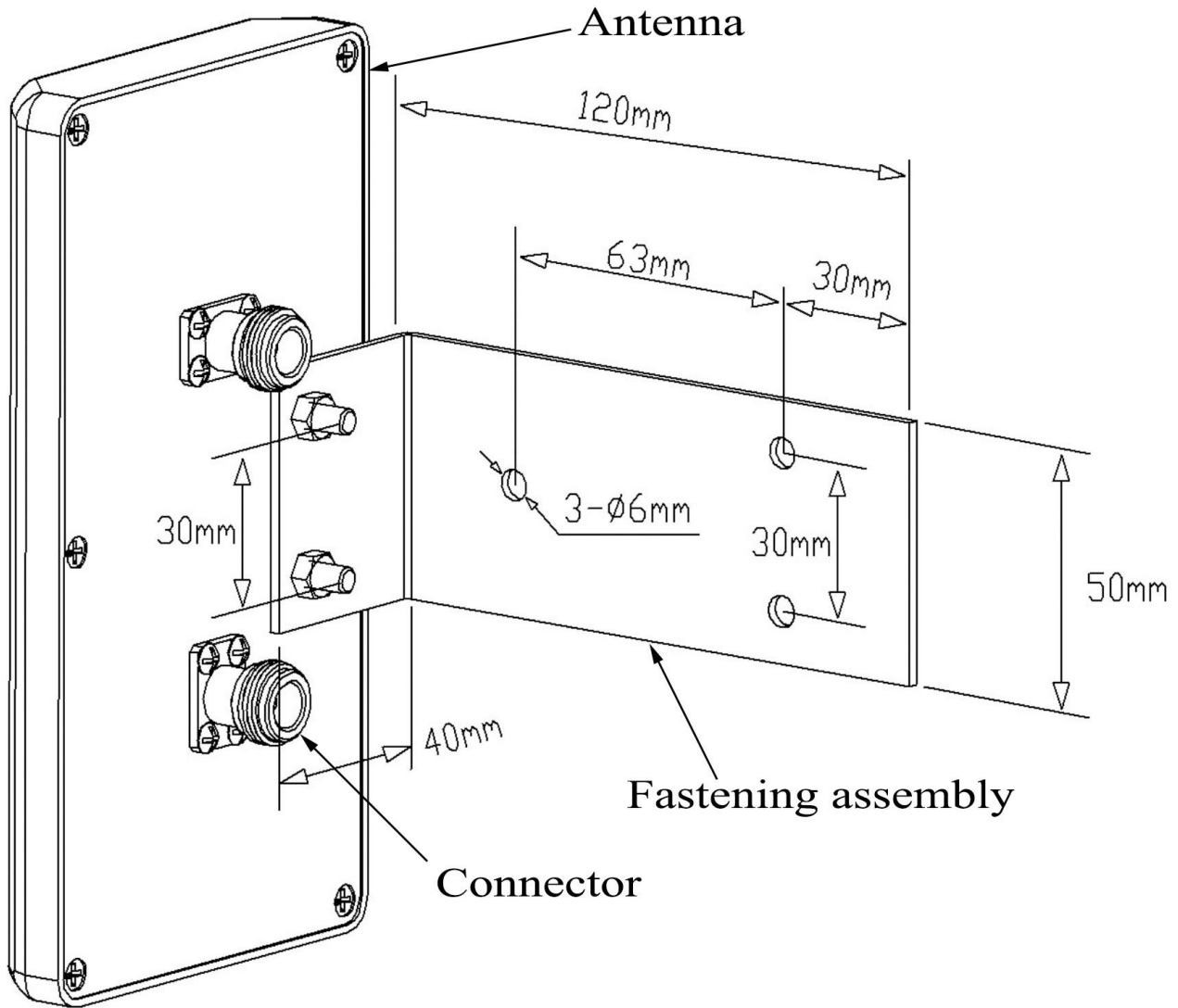
Tip: Pictures are for reference only.
Please refer to physical objects.

Electrical Specifications	
Freq.Range-MHz	5150 to 5850
Bandwidth-MHz	700
Polarization	Vertical and Horizontal
Gain-dBi	12.5
Beam Electrical Downtilt-°	0
Half-power beam width-°	H:38 E:32
Cross-pol-isolation-dB	≥ 28
F/B-dB	≥ 25
Impedance-Ω	50
VSWR	≤ 2.0
Max.Power-W	50
Lightning Protection	DC Grounded

Mechanical Specifications	
Connector	2×N female or Customized
Connector Position	Back
Dimension-MM	About 172×92×18
Weight-KG	About 0.5
Radome material	ABS
Radome color	White
Mechanical tilt-°	Can not be adjusted
Operational Temperature-°C	-40 to 60
Storage Temperature-°C	-55 to 85
Relative Humidity-%	5 to 95
Rated Wind Velocity-M/S	60
Mounting way	Screwed to the wall



Installation Demonstrations



Typical pattern & Communication channel

