



Directional Parabolic Antenna



Tip: Pictures are for reference only.
Please refer to physical objects.

- Model: FTD-5961PW23VH04A
- Name: Directional Parabolic Antenna
- Freq.Range: 5900 to 6100 MHz
- Communications system:
Remote communication,
5.9 to 6.1GHz WLAN/WIFI/ISM/UNII,
5.9 to 6.1GHz Spread Spectrum Communication
- Application scenario:
Point to point, Point to multipoint,
Long-distance communication,
Wireless data and image transmission,
Wireless bridging, Client antenna

Electrical Specifications

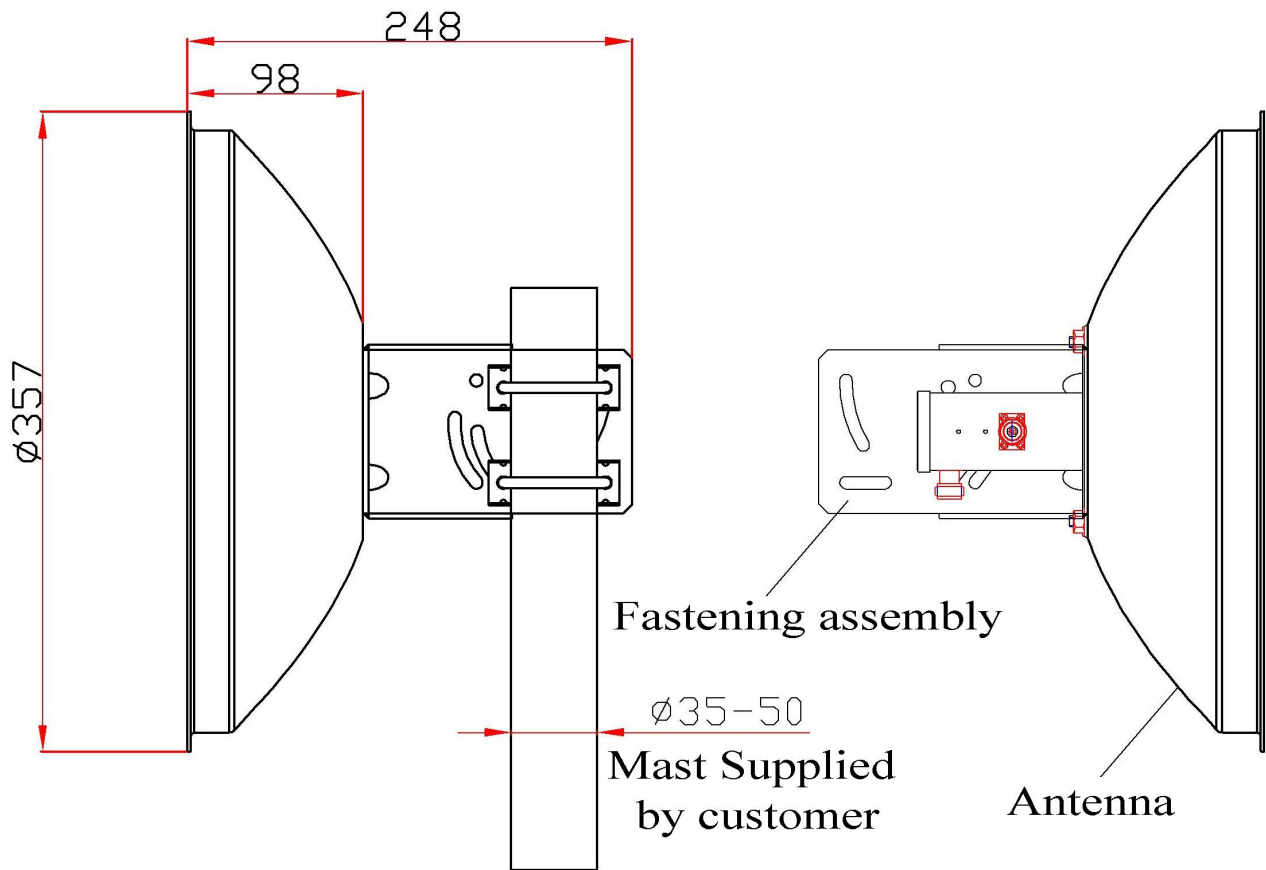
Freq.Range-MHz	5900 to 6100
Bandwidth-MHz	200
Polarization	Vertical and Horizontal
Gain-dBi	23
Half-power beam width-°	H: 9 E: 9
Sidelobe suppression	ETSI EN 302.326-3 DN1-DN5
F/B-dB	≥ 35
Cross-pol-isolation-dB	≥ 30
Impedance-Ω	50
VSWR	≤ 1.5
Max.Power-W	100
Lightning Protection	DC Grounded

Mechanical Specifications

Connector	2×N female
Connector Position	Back
Diameter-M	About Φ0.37
Weight-KG	About 3.3
Radome material	Aluminium alloy
Radome color	Gray
Mechanical tilt-°	-15 to 15
Operational Temperature-°C	-40 to 70
Storage Temperature-°C	-55 to 85
Relative Humidity-%	5 to 95
Rated Wind Velocity-M/S	60
Mounting way	Mast
Mast Diameter-MM	Φ35 to 50
Remark	Equipment mounting base is standard



Installation Demonstrations



Typical pattern

