



Directional Parabolic Antenna



- Model: FTD-8012PW3842VH12A
- Name: Directional Parabolic Antenna
- Freq.Range: 8 to 12GHz
- Communications system: IEEE521-2002 X
- Application scenario: Space research,
Satellite communication

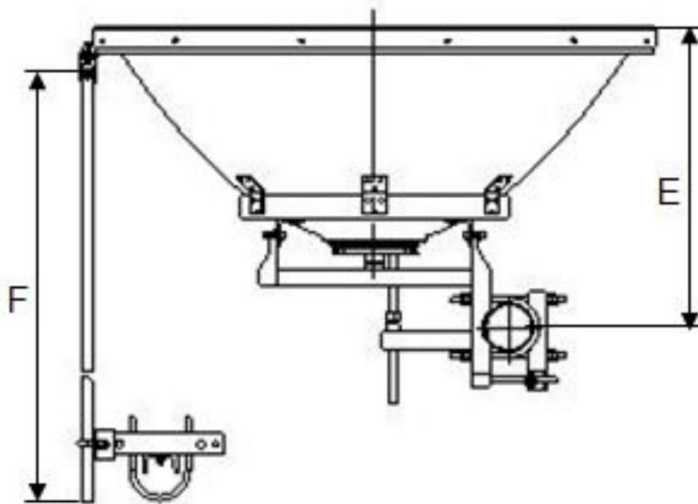
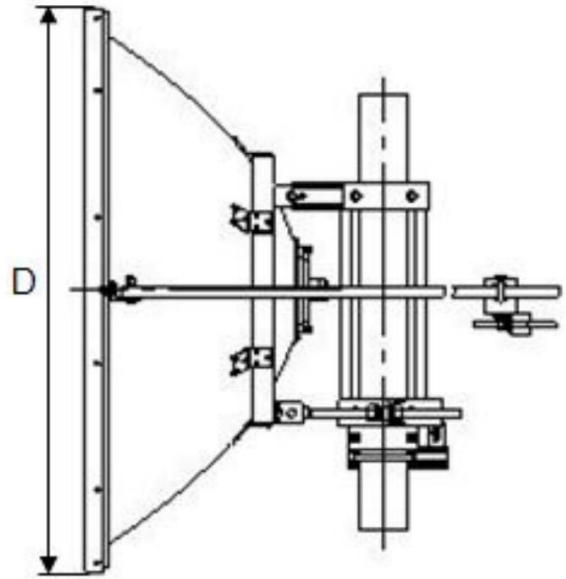
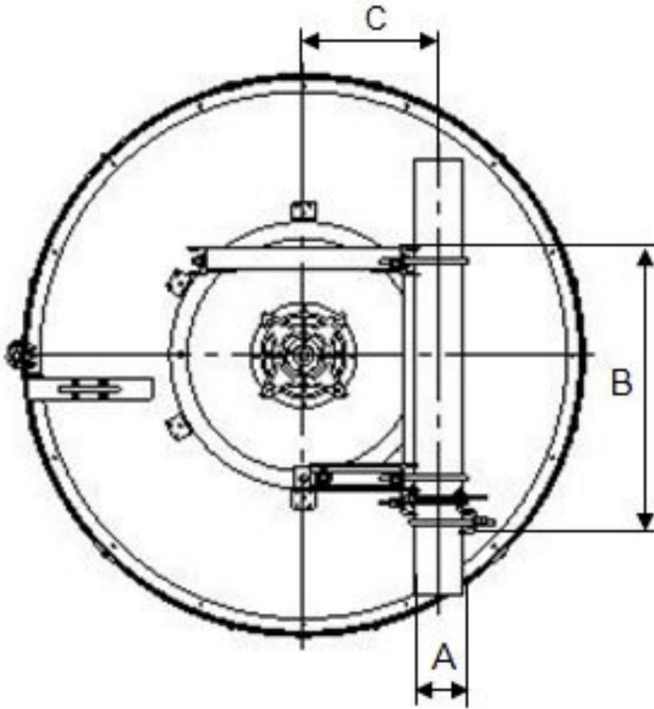
Tip: Pictures are for reference only.
Please refer to physical objects.

Electrical Specifications	
Freq.Range-GHz	8 to 12
Bandwidth-GHz	1
Polarization	Vertical or Horizontal
Low.Gain-dBi	38
Top.Gain-dBi	42
Half-power beam width-°	H:1.85 E:1.85
F/B-dB	≥ 67
Cross-pol. Discrimination_XPD-dB	≥ 35
Impedance-Ω	50
VSWR	≤ 1.2
Max.Power-W	100

Mechanical Specifications	
Connector	PBR100
Connector Position	Black
Diameter-M	About Φ1.2
Radome material	Aluminium alloy
Radome color	Cool Gray
Azimuth Adjustment-°	Coarse :360° Fine : ±15 °
Elevation Adjustment-°	Coarse : ±25° Fine : ±15 °
Ice-load-MM	About 25.4
Operational Temperature-°C	-40 to 65
Storage Temperature-°C	-55 to 85
Relative Humidity-%	5 to 95
Wind Velocity Survival Rating-KM/H	200
Packaging	Wood gird
Mast Diameter-MM	About Φ114
Gross weight-KG	About 56



Installation Demonstrations



Unit: mm

A	$\Phi 114$
B	650
C	310
D	$\Phi 1290$
E	685
F	1500