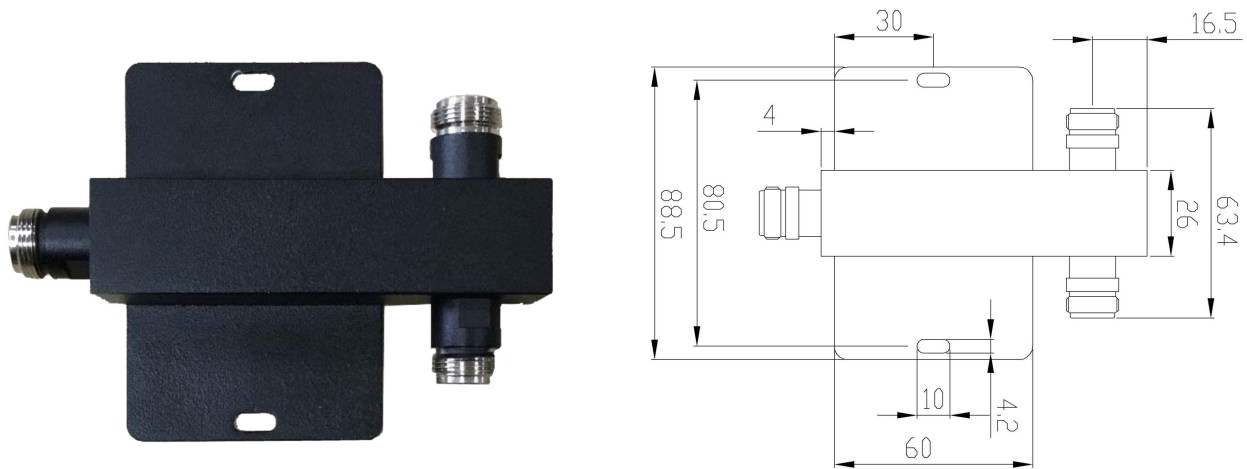




Cavity Structure Two-Power Divider



Tip: Pictures are for reference only.
Please refer to physical objects.

Specifications	
Model	GFQ-2460-2QB
Freq.Range-MHz	2400 to 6000
Bandwidth-MHz	3600
Impedance-Ω	50
VSWR	≤ 1.4
Insert Loss-dB[Include Distribution Ratio]	≤ 3.5 [In-Out]
Max.Power-W	200
Connector	3×N Female
Dimension	About 118×64×26
Weight-KG	About 0.2
Operating Temperature-°C	-45 to 65
Storage Temperature-°C	-55 to 85
Relative Humidity-%	5 to 95