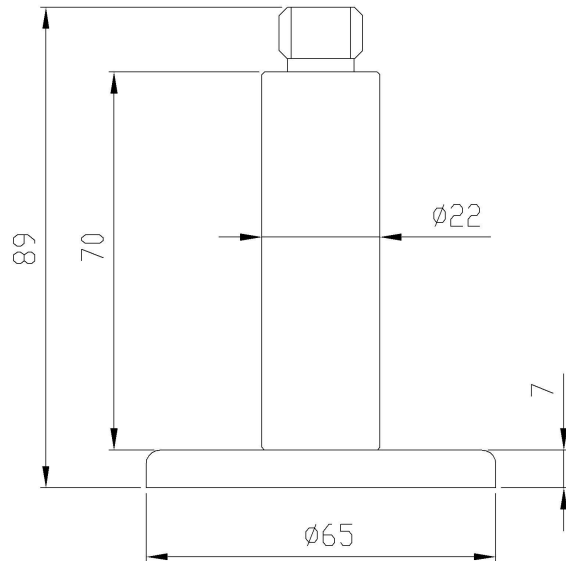




Magnetic Sucker Mounting Seat



Tip: Pictures are for reference only.
Please refer to physical objects.

Specifications	
Model	M60S
Connector Thread Specification	5/8 " -11UNC
Screw Material	Aluminium alloy
Screw Color	Black
Screw Diameter-MM	About $\phi 22$
Dimension-MM	About $\phi 65 \times 89$ [Include Screw]
Magnetic Sucker Sheathing material	Stainless steel
Magnetic Sucker Color	Black
Weight-KG	About 0.3 [Include Screw]
Vertical adsorption force-KG	About 50
Operating Temperature-°C	-40 to 60
Storage Temperature-°C	-55 to 85
Relative Humidity-%	5 to 95
Rated Wind Velocity-M/S	60
Mounting way	Magnetic adsorption