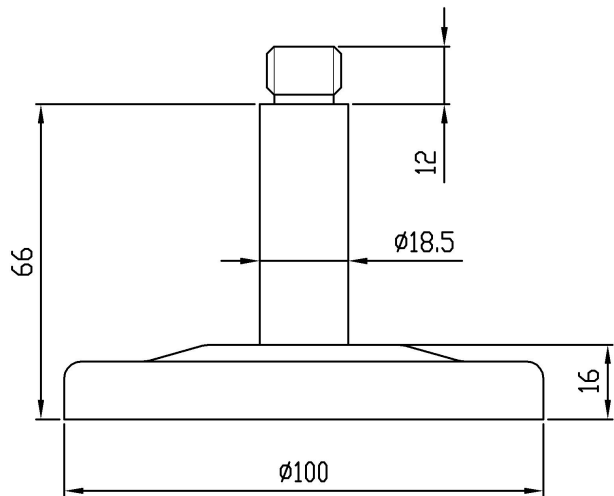




Magnetic Sucker Mounting Seat



Tip: Pictures are for reference only.
Please refer to physical objects.

| Specifications | |
|------------------------------------|--|
| Model | M100S |
| Connector Thread Specification | 5/8 " -11UNC |
| Screw Material | Aluminium alloy |
| Screw Color | Silver |
| Screw Diameter-MM | About $\phi 18.5$ |
| Dimension-MM | About $\phi 100 \times 66$ [Include Screw] |
| Magnetic Sucker Sheathing material | Stainless steel |
| Magnetic Sucker Color | Black |
| Weight-KG | About 0.46 [Include Screw] |
| Vertical adsorption force-KG | About 40 |
| Operating Temperature-°C | -40 to 60 |
| Storage Temperature-°C | -55 to 85 |
| Relative Humidity-% | 5 to 95 |
| Rated Wind Velocity-M/S | 60 |
| Mounting way | Magnetic adsorption |