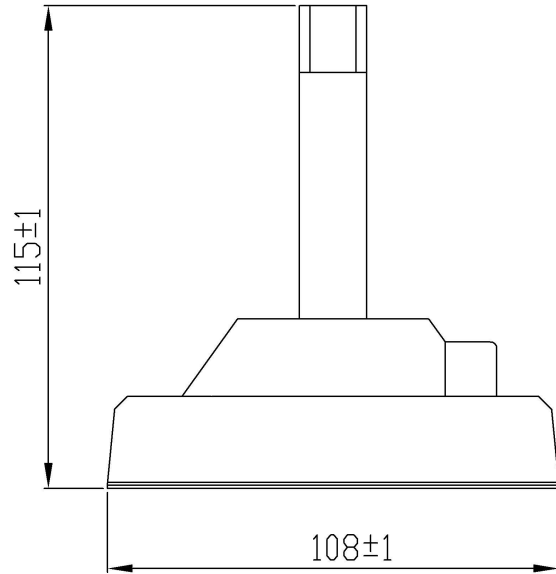




## Magnetic Sucker Mounting Seat



Tip: Pictures are for reference only.  
Please refer to physical objects.

Specifications	
Model	M110SB
Connector Thread Specification	5/8 " -11UNC
Screw Material	Aluminium alloy
Screw Color	Silver
Screw Diameter-MM	About $\Phi$ 18.5
Dimension-MM	About $\Phi$ 108×115 [Include Screw]
Magnetic Sucker Sheathing material	ABS
Magnetic Sucker Color	Brown
Weight-KG	About 0.6 [Include Screw]
Vertical adsorption force-KG	About 30
Operating Temperature-°C	-40 to 60
Storage Temperature-°C	-55 to 85
Relative Humidity-%	5 to 95
Rated Wind Velocity-M/S	60
Mounting way	Magnetic adsorption