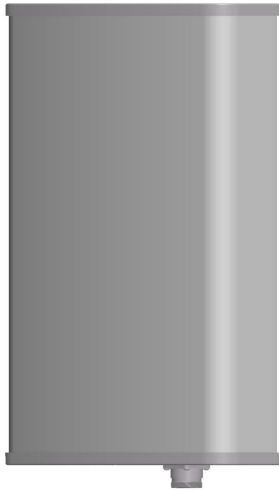




## Directional Sector Antenna



Tip: Pictures are for reference only.  
Please refer to physical objects.

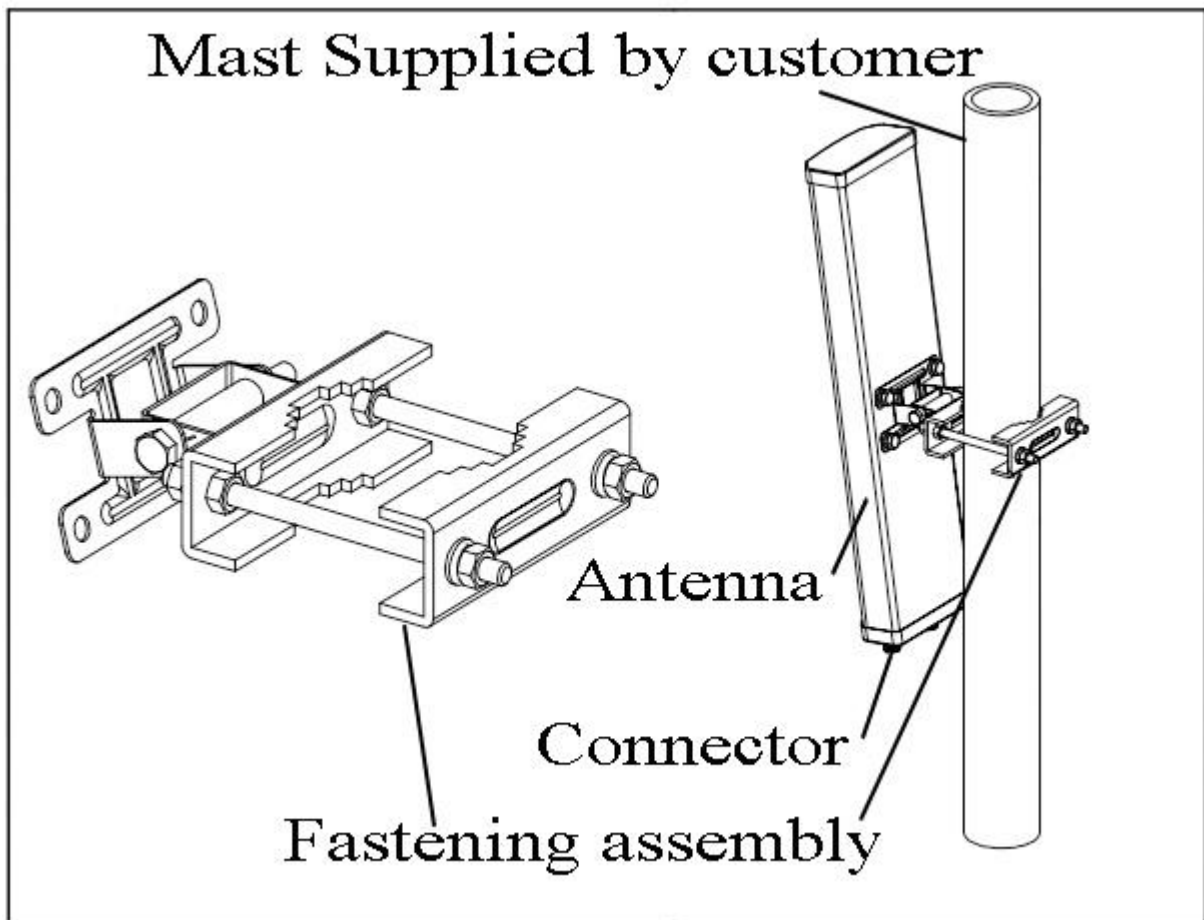
- Model: FTD-0738SH0812VP65A
- Name: Directional Sector Antenna
- Freq.Range: 698 to 960 / 1710 to 2690 / 3300 to 3800 MHz
- Communications system: WLAN/WIFI/ISM, GSM/CDMA/EGSM/DCS1800/MMDS/5G, TD-SCDMA/WCDMA/TDD&FDD-LTE, Wireless trunking communication system, Wireless access communication system, Wireless cellular Communication System
- Application scenario: Point to multipoint, Repeater antenna, Base station antenna, Outdoor signal directional coverage

Electrical Specifications			
Freq.Range-MHz	698 to 960	1710 to 2690	3300 to 3800
Bandwidth-MHz	262	980	500
Polarization	Vertical		
Gain-dBi	8±1	11±1	12±1
Beam Electrical Downtilt-°	0		
Half-power beam width-°	H:75±10 E:60±10	H:65±15 E:30±10	H:60±15 E:25±10
Cross-pol. Discrimination_XPD-dB	≥15 (±60°≥8)		
Third-order passive intermodulation-dBc	≤-150dBc (2×43dBm)		
F/B-dB	≥ 20	≥ 25	≥ 25
Impedance-Ω	50		
VSWR	≤ 1.8	≤ 2.0	≤ 2.0
Max.Power-W	100		
Lightning Protection	DC Grounded		

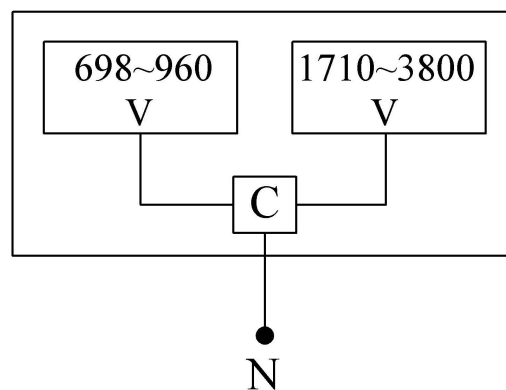
Mechanical Specifications	
Connector	N female
Connector Position	Bottom
Dimension-MM	About 350×300×146
Weight-KG	About 2
Radome material and color	Gray UPVC
Mechanical tilt-°	0 to 20
Operational Temperature-°C	-40 to 60
Storage Temperature-°C	-55 to 85
Relative Humidity-%	5 to 95
Rated Wind Velocity-M/S	60
Mounting way	Mast
Mast Diameter-MM	About Φ40 to 70



## Installation Demonstrations



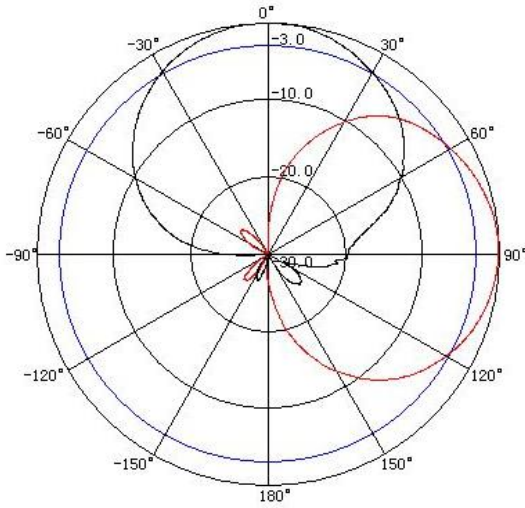
## Connector





# Typical pattern

698~960MHz



1710~3800MHz

